



TEMPERATURE CONTROLLER

UTC-121P, 221P, 421P

TECH SPECS

Model	UTC-121P	UTC-221P	UTC-421P
Dimension (HxWxD) mm	96 x 96 x 43	72 x 72 x 45	48 x 48 x 70
Panel Cutout	92 x 92	68 x 68	45 x 45
Input	J/K/PT-100 2W/3W (Configurable)		
Range	J: 0 to 600° C, K: 0 to 999° C RTD (PT-100): -99° C to 400° C/ -19.9° C to 99.9° C		
Output	1 Relay 1 C/O, 5A, 230V AC & SSR 12V DC Parallel (1 Set point)		
Control Action	PID / TP / ON-OFF (Configurable)		
Mode	Heating / Cooling (Configurable)		
Power Supply	100-270V AC, 50/60 HZ		

APPLICATIONS

Packaging Machinery

Extrusion Machinery

Furnace & Boilers

Ovens & Incubators

Food Industry

Technical Specifications

Input	
Input Type	Thermocouple : (J, K) RTD : (PT-100)
Display Range	Refer (Table 1)
Accuracy	± 1% of FSD
ADC Resolution	10 Bits
Display Resolution	Thermocouple : 1 °C RTD : 1 °C / 0.1 °C
Sample Rate	6 Sample / Sec
CJC Error	± 2 °C
Sensor Open	All Input
Sensor Burnout Current	1.10uA
RTD Excitation Current	0.2mA
CMRR	>120 db (Typical)
Input Impedance	>1M
Max Voltage	20V DC

Output	
Control Output	
Control Type	On-Off, Auto tune PID,TP
Proportional Band	0.0 to 999
Integral Time	0 to 999
Derivative Time	0 to 999
Cycle Time For SSR For Relay	1 sec to 99 sec 4 sec to 99 sec
Relay Control Output	
Relay	1 Nos.
Rating	5A @230V AC / 28V DC Resistive Load
SSR Control Output	
Rating	12V DC @30mA

Physical			
	UTC-121P	UTC-221P	UTC-421P
Enclosure	Molded ABS		
Weight	230gm	180gm	110gm
Color	Black		
Front Bezel (mm)	96 x 96	72 x 72	48 x 48
Panel cutout (mm)	92 x 92	68 x 68	45 x 45
Depth behind panel	43 mm	45 mm	70 mm
Accessories	1 pair of Mounting clamp		
Terminal Cable Size	Barrier Type terminal Cable Size (2.5 mm ²)		

Environmental	
Operating Temperature	0 to 55 °C
Storage Temperature	0 to 70 °C
Humidity	95% RH Non-condensing
Protection	IP 54 (Front Side)

Power Supply	
Standard	100 - 270V AC @ 50/60 Hz
Optional	24V DC
Consumption	4VA

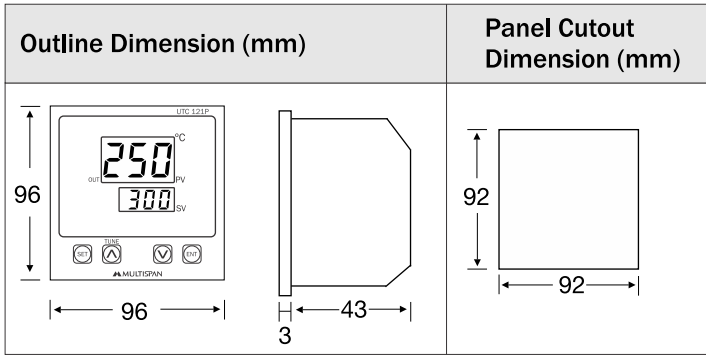
Display (Table 1)		
	UTC-121P , 221P	UTC-421P
Process Value	UPPER: 3 Digit 7 seg 0.80",RED LED Display	UPPER: 3 Digit 7 seg 0.63",RED LED Display
Set Value	LOWER: 3 Digit 7 seg 0.40",GREEN LED Display	LOWER: 3 Digit 7 seg 0.30",GREEN LED Display
Keys	SET, UP, DOWN, ENT	
LED Indication	Relay , SSR	

Table 1 (Sensor Range)

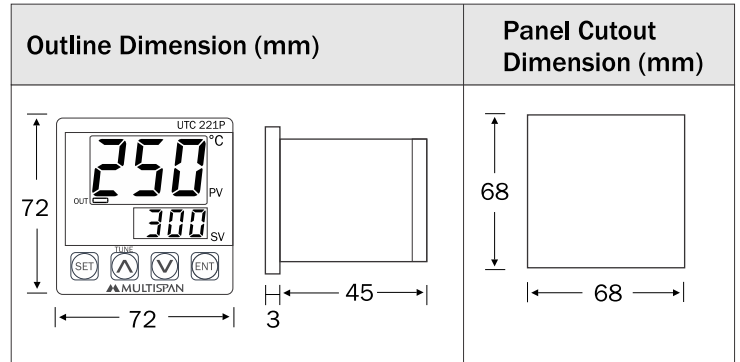
J	0 to 600 °C	PT-100	-99 to 400 °C
K	0 to 999 °C	PT.1	-19.9 °C to 99.9 °C

Mechanical Dimension

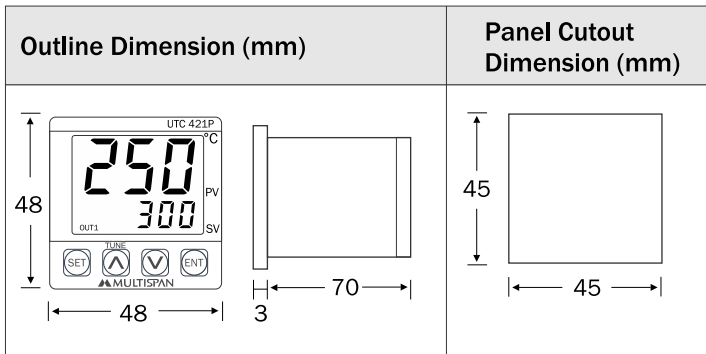
UTC- 121P



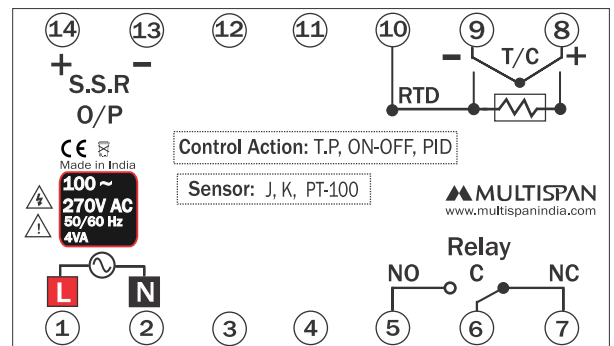
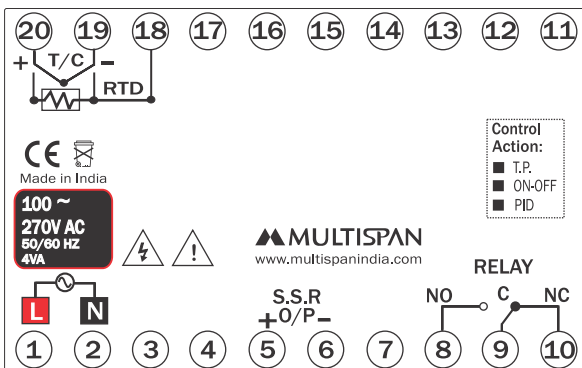
UTC- 221P



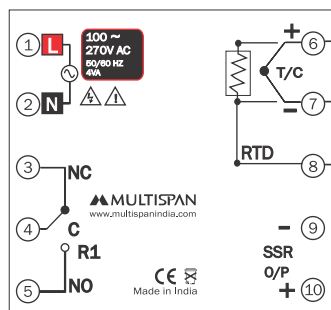
UTC- 421P



Terminal Diagram



UTC- 121P



UTC- 221P

UTC- 421P

Multispan reserves the right to change specifications without prior notice. Printing and typographical errors reserved.
 Product improvement and upgrade is a constant procedure. So for more updated operating information & support contact us.

Multispan Control Instruments Pvt. Ltd.

72/B, Phase 1, GIDC Estate, Vatva, Ahmedabad-382445, Gujarat, India.

+91-7575805463/7623001206

support@multispanindia.com

Follow us



www.multispanindia.com