

WET / WET DIFFERENTIAL PRESSURE TRANSMITTER

Special Features:

- Low Cost OEM
- Wide Temperature Range
- Crevice Free Stainless Steel Construction
- Piezo Resistive Silicon Chip
- Compact Version
- Surge Protection, Over Voltage Protection



Applications:

D9800 OEM Pressure Transmitters with Compact Design are used for WET / WET applications in Aviation Industry, Pharmaceuticals, Refrigeration and HVAC Controls, Process Control, Motor Fuel Control, Water Pressure Monitoring and High end industrial machinery.

Performance Specifications:

Pressure Range	: -1 Bar ~ 100 Bar
Accuracy	: ±0.25%
Operating Temp.	: - 40°C to 125°C
Compensated Temp.	: - 20°C to 65°C
Proof Pressure (High)	: 2X
Proof Pressure (Low)	: 1X
Burst Pressure	: 5X
Input Voltage	: 12 - 36 VDC
Output	: 4-20 mA , 0-10V , 0-5V, 0.5-4.5V Ratiometric, 1-5V

Wetted Parts	: AISI 316L SS
Diaphragm	: AISI 316L SS
Case	: AISI 316L SS
Connector	: Nylon 6/6, UL94V0
Media Compatibility	: All Materials compatible with AISI 316L SS
Protection	: IP 65

		2 Wire	3 Wire	3 Wire
Output	: 4 - 20mA		0.5 - 4.5V	0 - 10V
Excitation (V)	: 12 - 36V		4.75 - 5.25V	15 - 30V

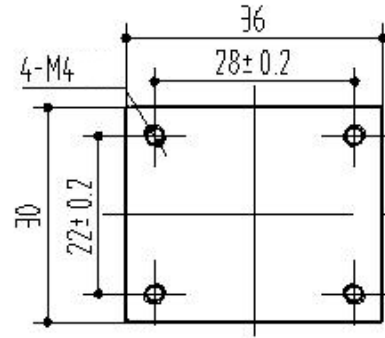
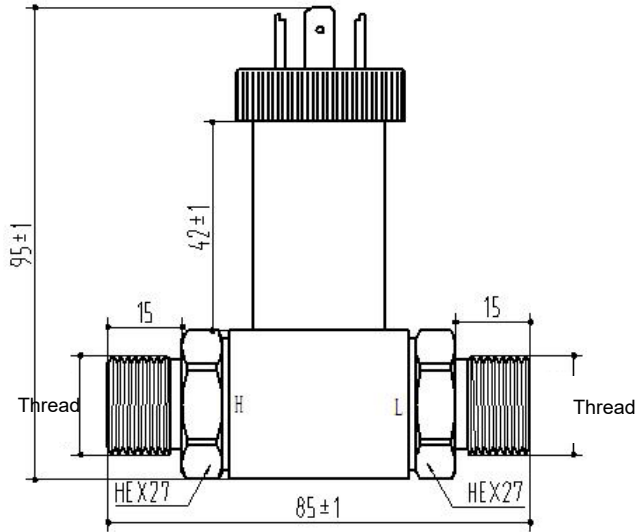
Standard Ranges:

RANGE (BAR)	RANGE (BAR)	RANGE (BAR)
0/3	0/4	0/5
0/6	0/7	0/10
0/12	0/16	0/18
0/20	0/25	0/30
0/40	0/50	0/60
0/70	0/75	0/100

* Non Standard Ranges And Various Engineering Units Available On Request

WET / WET DIFFERENTIAL PRESSURE TRANSMITTER

⚙️ Dimensions:



Bottom installation

Structure & dimension

HOW TO ORDER

⚙️ Basic Model:

1	0.5 to 4.5V (ratiometric)	2	4 - 20mA	3	1 to 5V	D98
4	0 to 10V	5	0 to 5V	6	0 to 100mV	2

⚙️ Process Connection:

1	1/4" BSP (M) X 2	2	1/2" BSP (M) X 2	3	7/16" UNF (M) X 2	1
4	1/4" NPT (M) X 2	5	1/2" NPT (M) X 2	7	1.5" Sanitary X 2	

⚙️ Electrical Connection:

1	2ft Cable	2	2ft Cable with IP68 Gland	5	M12	6
4	Packard Metripak Connector	5	Bendix	6	Hirschman DIN 43650	

⚙️ Pressure Range:

Please Refer to the range table

⚙️ Units:

B	Bar
P	Psi

⚙️ Pressure Type:

D	Differential Pressure
---	-----------------------

Ordering Example : D9821-6-001-B-D